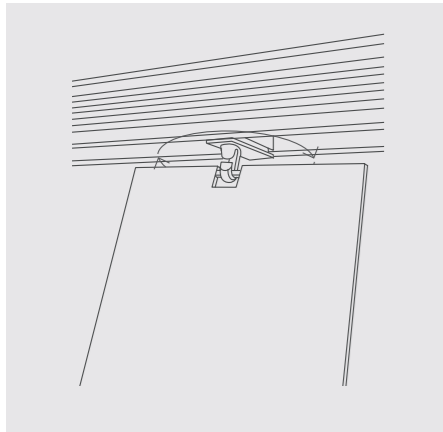


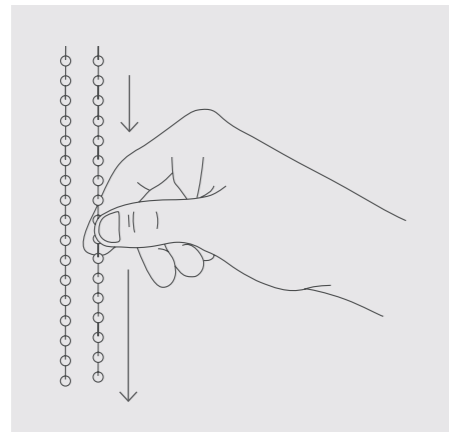
WHEN I PULL THE CONTROL CHAIN THE LOUVRES WON'T TURN

STEP 1



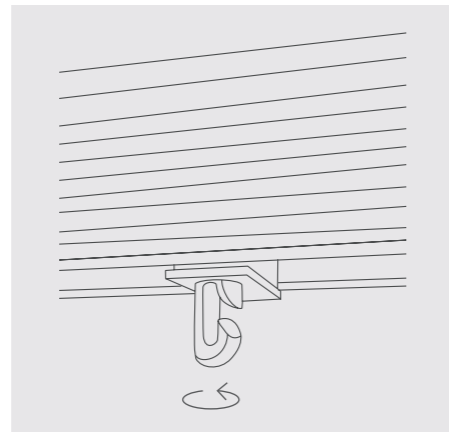
Louvres are jammed/not rotating.

STEP 2



Pull the control chain.

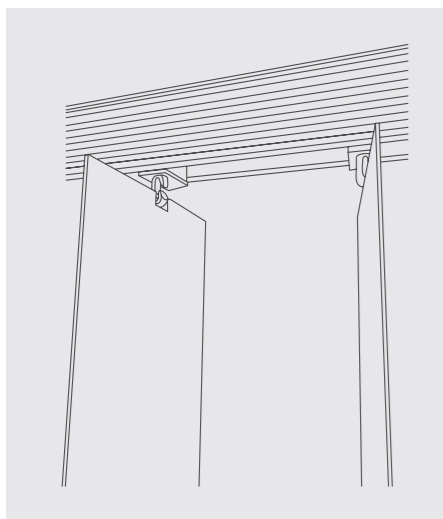
STEP 3



Do runners rotate normally?
If **yes**, return the runners to the open position and add the louvres.

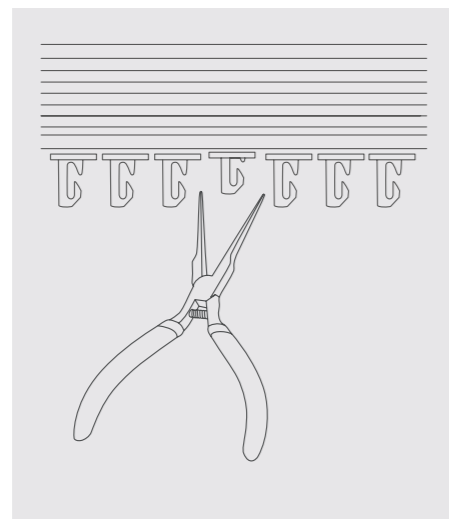
Pegs should be turned perpendicular to the headrail.

STEP 4



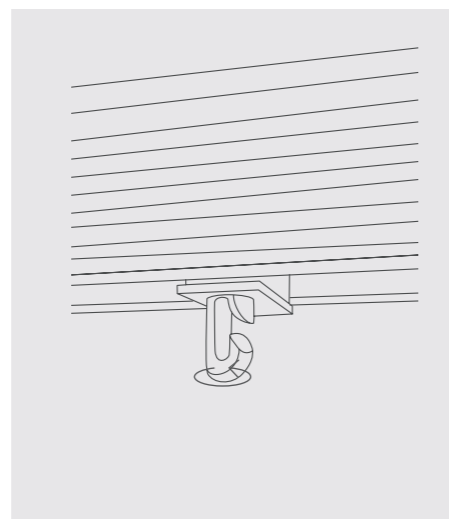
Add the louvres.

STEP 5



If **not**, check if any of the pegs within the headrail have been pushed in, **if they have**, using a pair of pliers, gently pull the pegs back out.

STEP 6

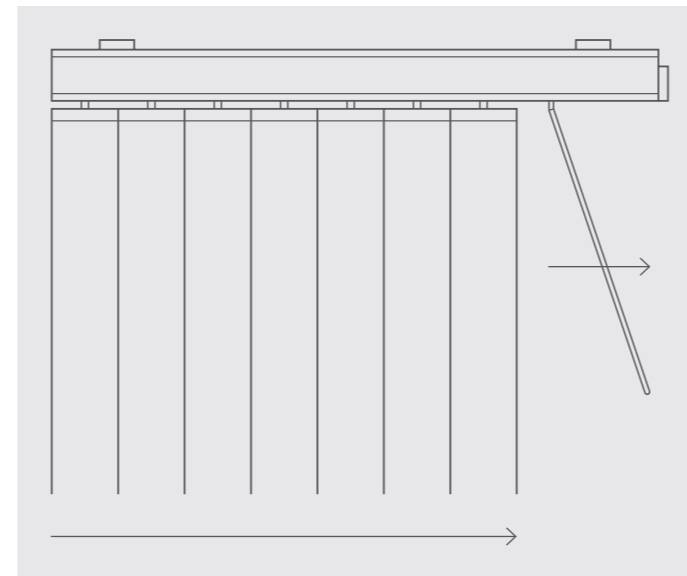


Do the pegs now rotate normally? If **yes**, repeat point 3.

PLEASE READ THE INSTRUCTIONS BEFORE OPERATING THIS PRODUCT

WAND OPERATION-DRAW

Use the wand to draw the slats to either end of the blind.

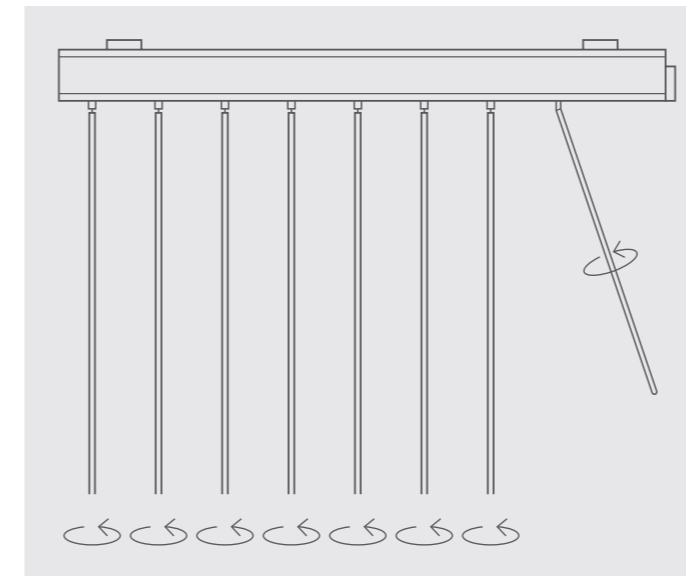


If any of the slats are out of alignment, twist the wand control until the slats are in the closed position, then continue to twist the wand until all the slats are fully aligned.

You may feel some resistance and hear a clicking noise whilst doing so.

WAND OPERATION-TILT

Twist the wand to tilt the slats in either direction to the open/closed position.



MAINTENANCE

The product is low maintenance, however we recommend that regular visual checks are completed to ensure that no components have been damaged, which could result in operating difficulties and/or cause a safety risk. To ensure the slats slide smoothly across the headrail apply some silicone base lubricant spray to inside of the headrail. If any maintenance is required we recommend that the work is carried out immediately by a reputable blind company.

WARNING

Young children can be strangled by loops in pull cords, chains, tapes and inner cords that operate the product. To avoid strangulation and entanglement, keep cords out of the reach of young children.

Cords may become wrapped around a child's neck.

Move beds, cots and furniture away from window covering cords. Do not tie cords together. Make sure cords do not twist and create a loop.

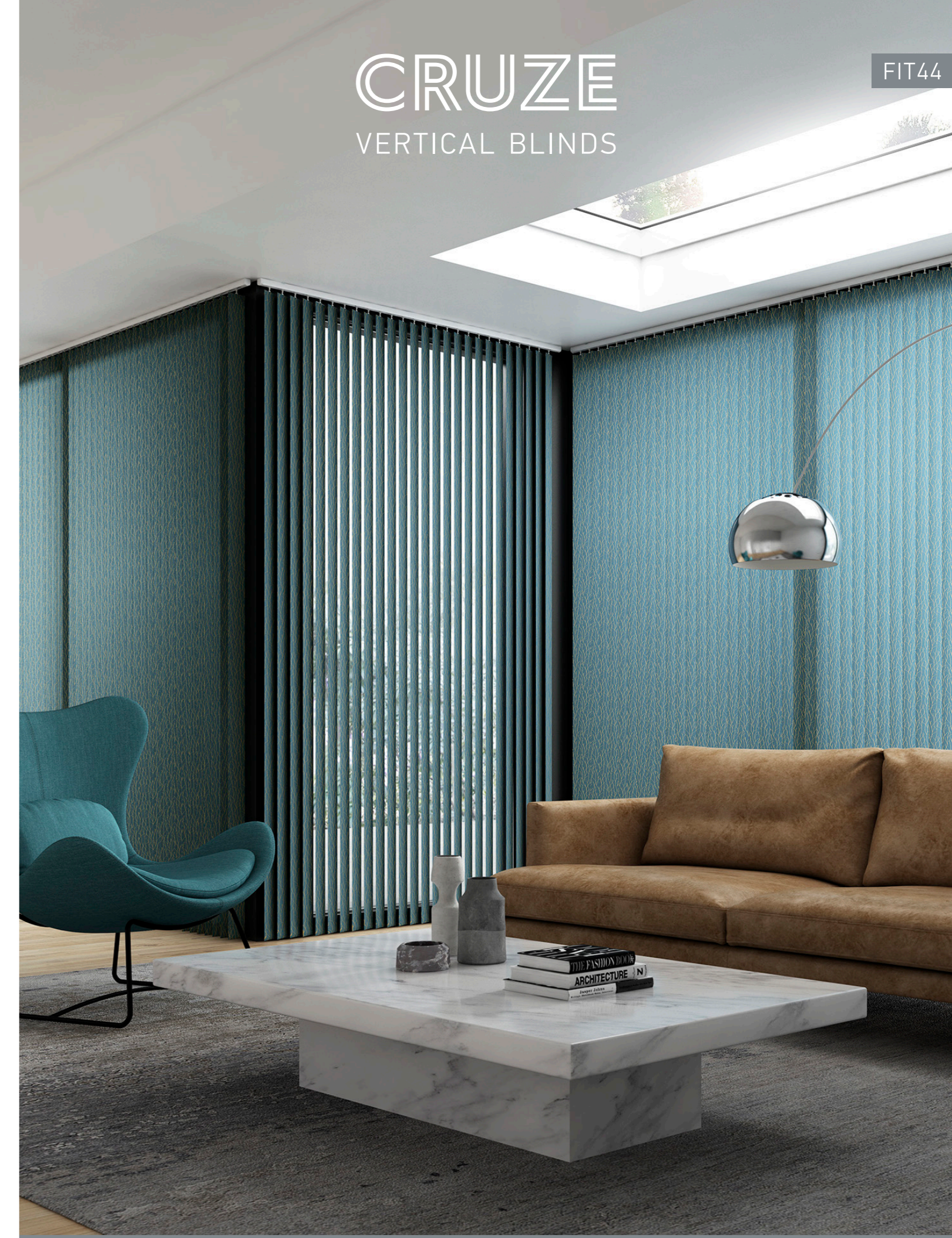


make it safe

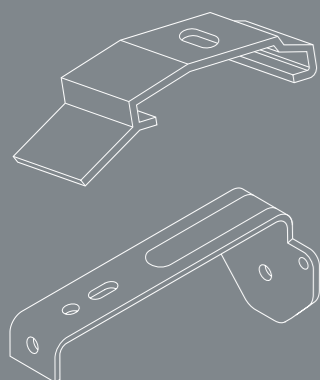


CRUZE
VERTICAL BLINDS

FIT44



YOU SHOULD HAVE



BRACKETS

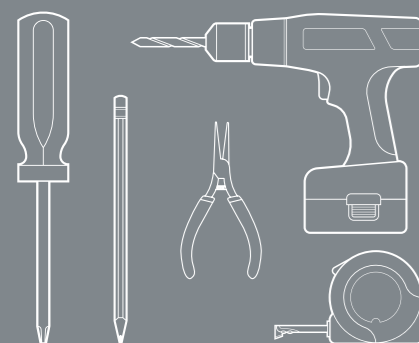


SAFETY DEVICES

- Tie down Safety Clip

TOOLS REQUIRED

- Screwdriver
- Pencil
- Power-Drill
- Tape Measure
- Pliers



STEP 1

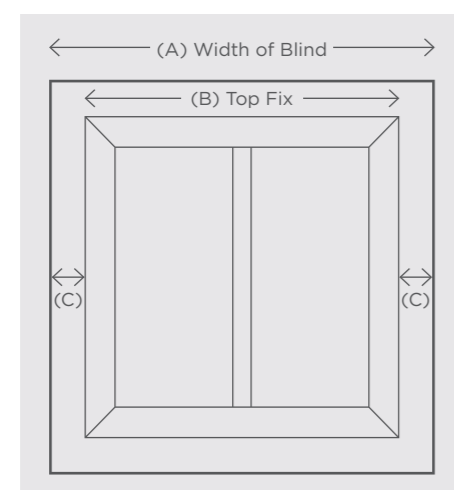
THE INSTALLATION OF THIS PRODUCT SHOULD BE CONDUCTED BY SOMEONE COMPETENT IN DIY.

OUTSIDE RECESS

If the blind is to be fitted outside the window ensure that measurement C is the same. Follow instructions for FACE FIXING. To calculate $C = (A - B) / 2$.

INSIDE RECESS

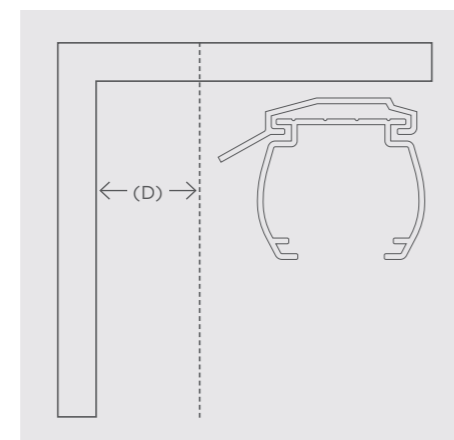
TOP FIX to the lintel or FACE FIX brackets to the window frame.



STEP 2

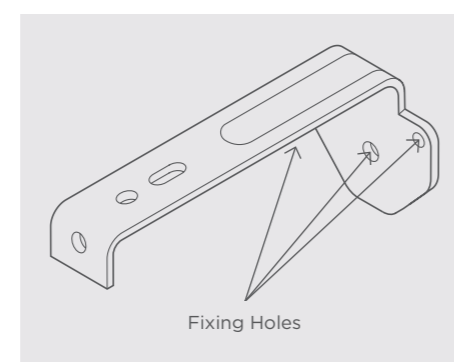
TOP FIXING

Measure and mark the distance (D), allowing for obstructions like handles that protrude into the recess area. Hold each bracket into place and mark the hole positions. Fit each bracket using suitable screws. Please ensure fixings are suitable for the wall/surface to which you are mounting the brackets.



FACE FIXING

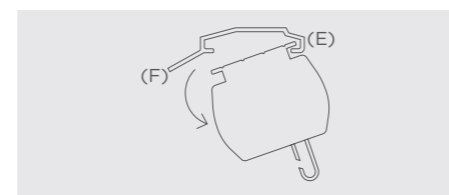
Position brackets approx 5cm from the ends of where the headrail is to be positioned. If more than 2 brackets are supplied, fit the additional brackets at equal spacing across the length of the blind. Please ensure fixings are suitable for the wall/surface to which you are mounting the brackets.



STEP 3

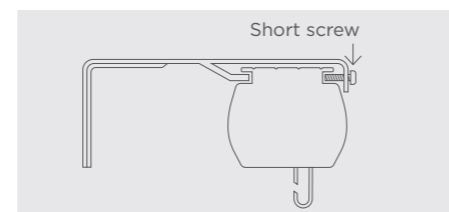
TOP FIXING

Tilt and hook headrail into bracket at point (E). Rotate the headrail into position until it clicks. To release the headrail push the bracket at point (F)



FACE FIXING

Hook the back of the headrail into the bracket and rotate the headrail into position. Secure headrail by tightening the short screw in the front of the bracket.



STEP 4

SAFETY DEVICE

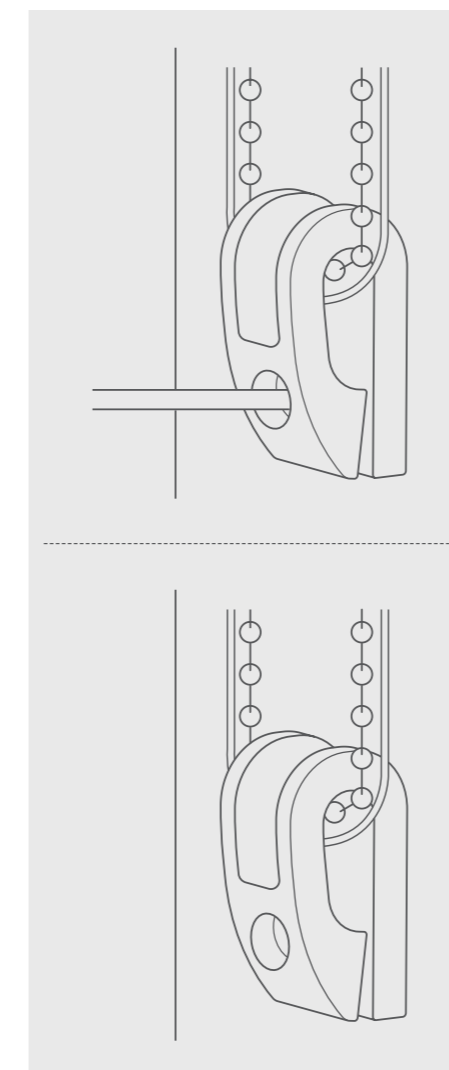
The safety device must be installed at the maximum distance possible from the control mechanism to prevent looped chain becoming slack. Place the safety device on the wall and mark the positioning of the 1 screw hole. Drill holes using a suitable drill bit. Place device into position ensuring the chain is fully taut.



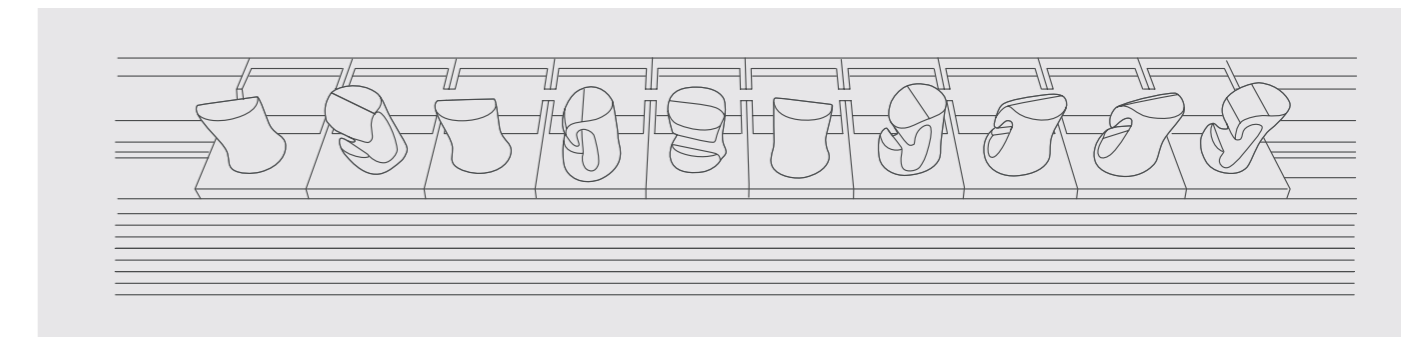
STEP 5

RETAINING DEVICE

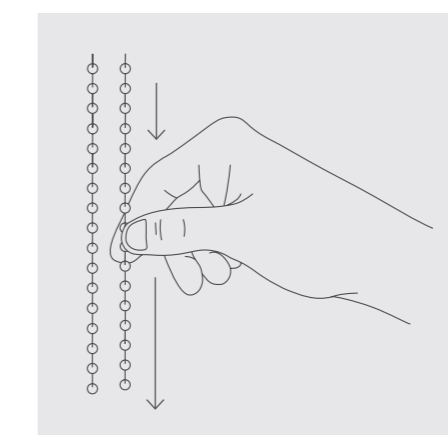
Screw the retaining device using suitable fixings ensuring the device is fully closed.



TRAVELLERS NOT ALIGNED

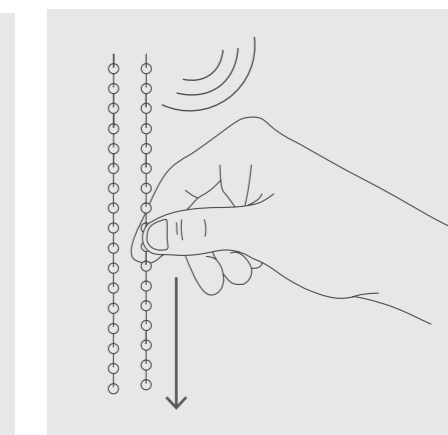


STEP 1



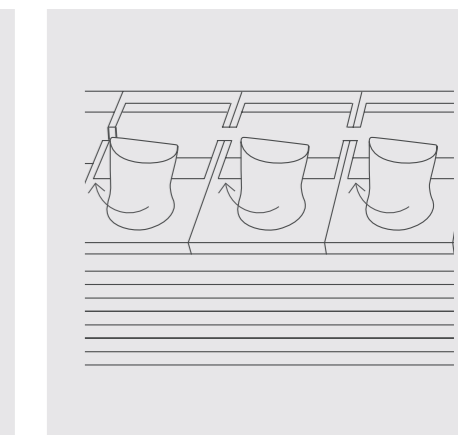
Pull on chain until completely restricted.

STEP 2



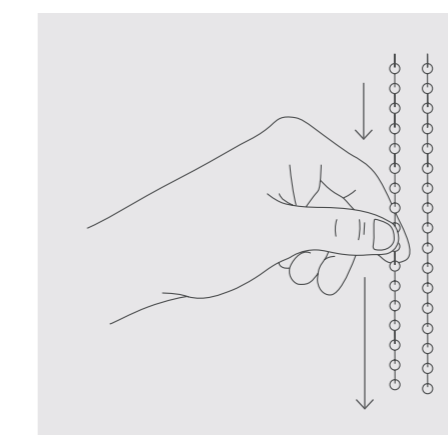
At this point you will need to pull on the chain with force. You will hear a grinding noise - this is normal.

STEP 3



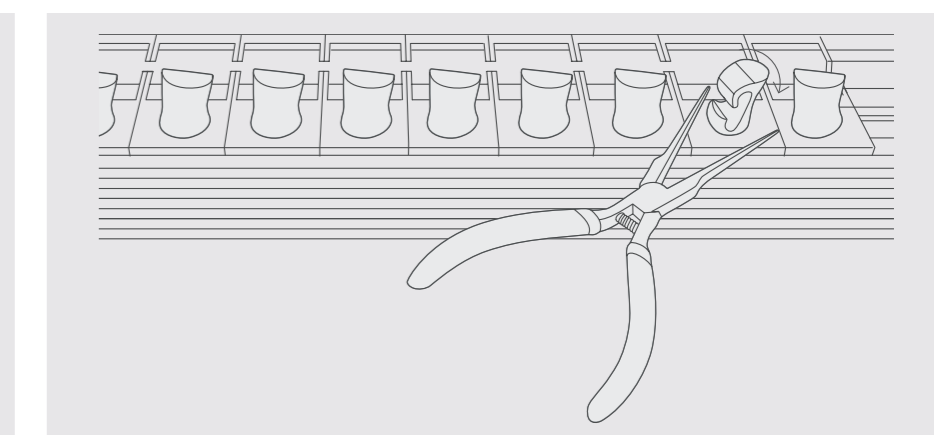
Travellers should start to align.

STEP 4



Repeat step 2 pulling chain in the opposite direction until travellers are fully aligned.

STEP 5



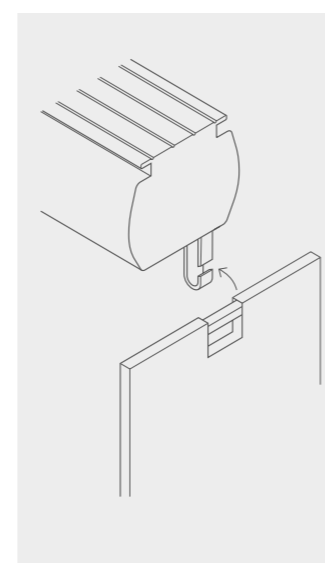
Did this align all the pegs? If **not**, gently rotate the lazy traveller with a pair of pliers. The traveller will then click into place accordingly.

CHILDREN CAN STRANGLE IF A SAFETY DEVICE IS NOT INSTALLED. ALWAYS USE A SAFETY DEVICE TO KEEP CORDS AND CHAINS OUT OF REACH OF CHILDREN.

STEP 6

ATTACHING VERTICAL VANE

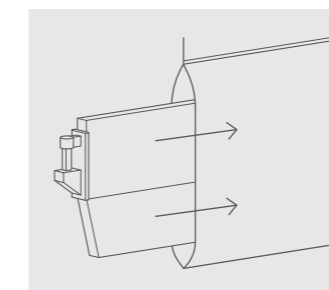
With the headrail fitted, hook each fabric slat into the headrail travellers ensuring the traveller pegs are in the open position.



STEP 7

BOTTOM WEIGHTS

Insert the bottom weights into the vertical vane bottom pockets.



STABILISING CHAIN

Push connector on stabilising chain onto the ear of each bottom weight. Stabilising chain should be connected to both sides of the blind.

