

FIT12



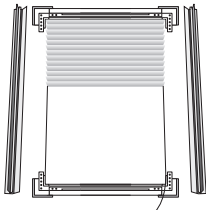
FREE HANGING PERFECT FIT BLINDS

FITTING INSTRUCTIONS KONNECT STRIP V1

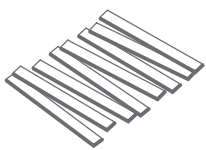
YOU SHOULD HAVE

PERFECT FIT ITEM LIST

Perfect Fit frame and blind



Konnect Magnetic Strip



Safety device



8 x screws (2 per corner)

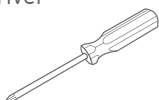


Alcohol Wipe



TOOLS REQUIRED

Screwdriver



NOTE: For blinds with frame, the wand will always be attached to the back of the side sections of the frame. For blinds without a frame, the wand will be inside the headrail of the blind. Sunwood: When the wand is wider than the blind, the wand will be sent as a separate package.

The installation of this product should be conducted by someone competent in DIY.

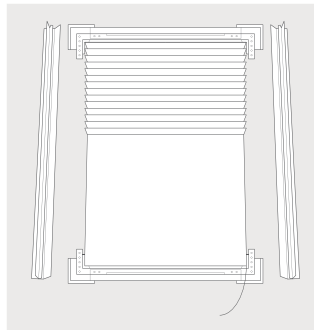
STEP 1

PUT THE FRAME TOGETHER

1.1

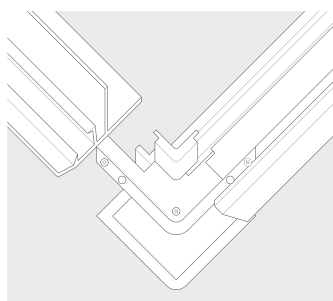
Lay all parts of the frame/ blind out face down on a clean even surface. Next unwrap the cords.

Your blind will be attached to the top sections of the frame. Corner joints will be pre-attached to the top & bottom sections of the frame.



1.2

Starting from the left hand side, securely push the frame section into the corner joints, starting at the top. Repeat for the right hand side.



1.3

Your Perfect fit frame and blind are ready to fit.

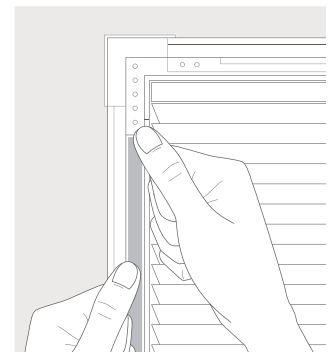
STEP 2

ATTACH THE MAGNETIC STRIP

TIP: Ensure the area where the magnetic strips are applied is clean of dirt and grease. Use the alcohol wipe included to clean surface.

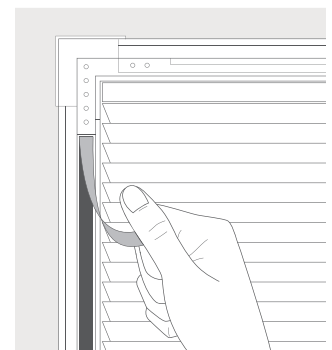
2.1

Remove the paper backing to expose the self adhesive layer. Attach the adhesive side to the frame, 1 length per frame piece, magnet side facing out.



2.2

Position the magnetic strip on top of the existing magnetic strip on the frame. Remove the paper backing from the magnetic strip exposing the adhesive layer ready to fit onto the window.

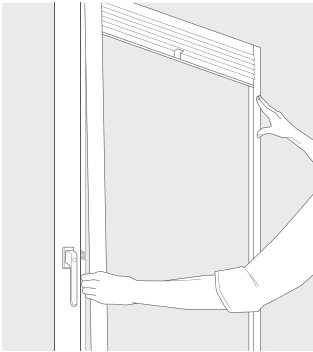


STEP 3

ATTACH THE FRAME & BLIND TO THE WINDOW

3.1

Line up the Perfect Fit frame with the window and push the frame into position.



Your frame and blind are now installed.

STEP 4

SAFETY DEVICE

Cord safety cleat - The safety cleat shall be installed as close to the headrail as possible and in all cases not less than 1500mm from the floor.

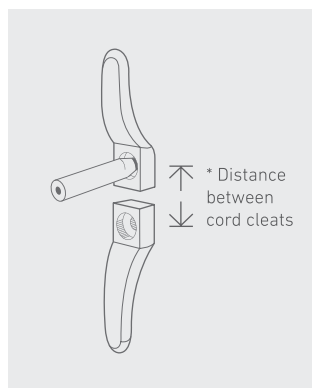
The Cord must be fully accumulated around the safety cleat(s) when the blind is not in use.

Use the table below to determine the distance required between the cleats to fully accumulate the cords when the blind is fully raised.

Drop of Blind	*Distance between cord cleats (centre to centre)
1-1000mm	100mm
1001-2000mm	150mm
2001-3000mm	300mm

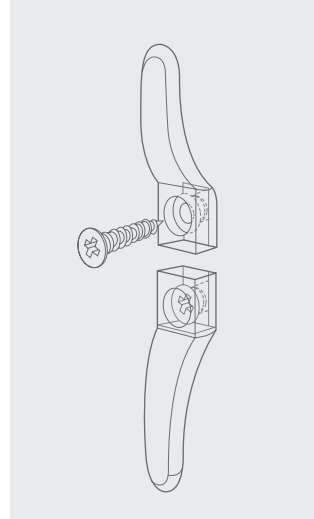
Place the safety cleat in the desired position on the wall and mark the positions of the holes with a pencil.

(Note: Based on cord up to 2.8mm, 17mm can be accumulated in total.)



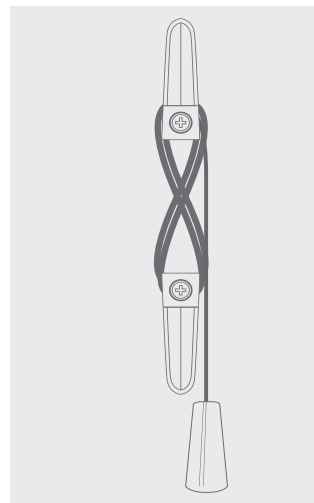
Mark the hole positions and drill as required.

Use suitable screws to attach the safety cleat to the wall.



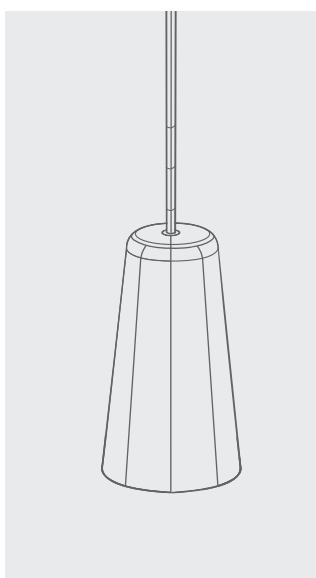
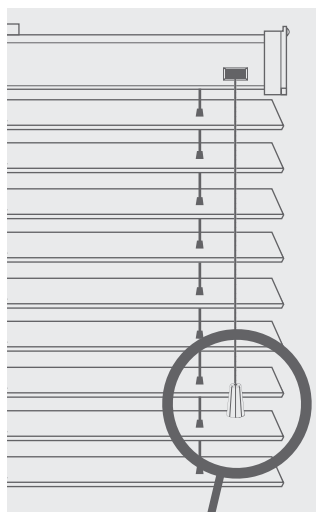
Wrap the cords around the cord cleats in a figure of 8.

When the cords are fully accumulated ensure they are secure so when any cord is pulled no excess cord is released.



BREAKAWAY SAFETY TASSEL

Breakaway safety tassel is pre-fitted to the lift cords so that when a horizontal force is applied to the cords entering the condenser it safely breaks away eliminating any hazardous loops.



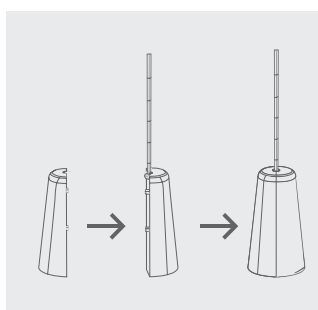
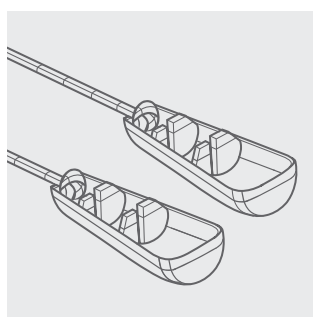
If the breakaway safety tassel is pulled apart:

Untangle and untwist cords.

For 2 cords: Press the breakaway safety tassel together until it is fully closed.

For 3 to 4 Cords: Place the loose cord(s) in the opening of each half of the breakaway safety tassel and press the breakaway safety tassel together until it is fully closed.

If there are any doubts that the breakaway safety tassel has not been re-attached correctly it can be tested by placing your arm between the cords and pressing downwards. The breakaway safety tassel should break apart with minimal force, if it does not breakaway tie cords out of reach of children and contact a reputable blind company to repair the blind.

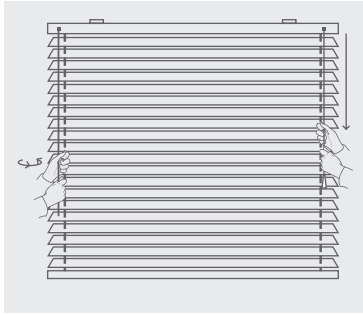


PLEASE READ THE INSTRUCTIONS BEFORE OPERATING THIS PRODUCT

OPERATION INSTRUCTIONS

BLIND OPERATION

To tilt blind: Twist the wand to tilt the slats in either direction.



Tilt blind horizontal before raising/lowering to extend the life of the blind.

To lower blind: Move lift cord towards middle of the blind pulling down gently until cord lock releases.

To raise blind: Pull lift cord downward until blind reaches desired height.

To lock cords: Pull lift cord towards the outside of the blind and release. Cord will lock automatically.

MAINTENANCE

The product is maintenance free however we recommend that regular visual checks are completed to ensure that no components have been damaged, which could result in operating difficulties and/or cause a safety risk.

If any maintenance is required we recommend that the work is carried out immediately, by a reputable blind company.



make it safeTM

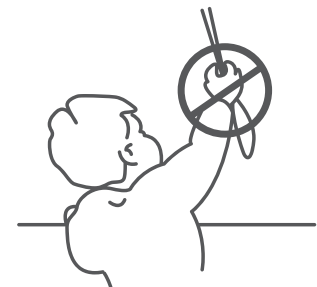
BBSAA[®]
BRITISH BLIND & SHUTTER ASSOCIATION

WARNING

Young children can be strangled by loops in pull cords, chains, tapes and inner cords that operate the product.

To avoid strangulation and entanglement, keep cords out of the reach of young children. Cords may become wrapped around a child's neck. Move beds, cots and furniture away from window covering cords.

Do not tie cords together. Make sure cords do not twist and create a loop.





FITTING INSTRUCTIONS: FREE HANGING PERFECT FIT BLINDS